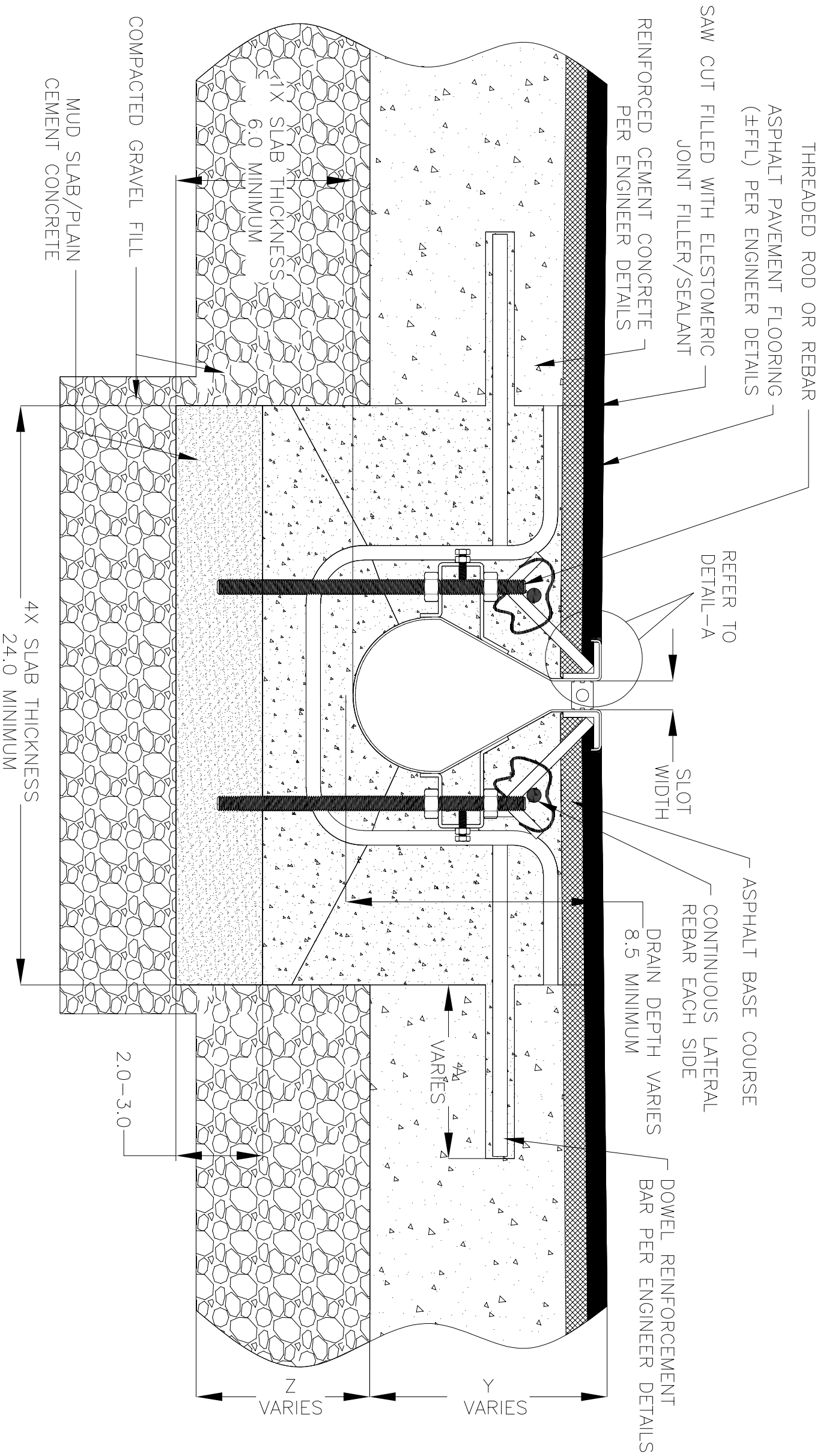


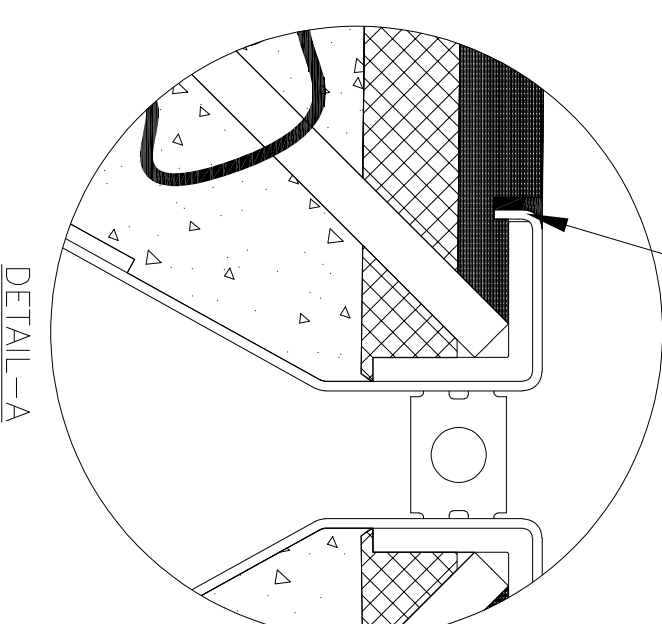
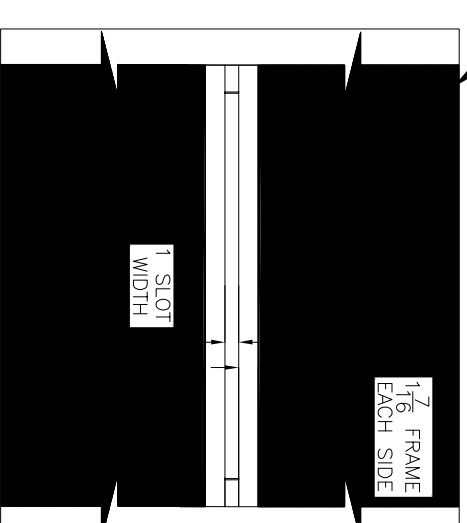
NOTES: UNLESS OTHERWISE SPECIFIED

1. ALL DIMENSIONS ARE IN INCHES.
2. DRAIN BODY MATERIAL: 14GA STAINLESS STEEL T304/T316
3. SPECIFYING ENGINEER IS RESPONSIBLE FOR CONCRETE ENGAGEMENT AND REINFORCING BASED UPON APPLICATION AND LOCAL CODES.
4. REFER TO <https://info.slotdrainsystems.com/installresources> FOR INSTALLATION INSTRUCTIONS.



10000 SERIES SLOT DRAIN INSTALLATION DETAILS

ASPHALT FLOORING (±FFL)
PER ENGINEER DETAILS



DRAWING TITLE
ASPHALT FLOOR-RETROFIT INSTALLATION

REV.	DESCRIPTION	DATE	BY
0	INITIAL RELEASE - RO	12/2/2019	DK
1	UPDATED DRAIN LAYOUT WITH REBAR	12/2/2020	DK
2	UPDATED WITH GLOBAL DRAIN TEMPLATE	3/19/2024	DK

DWG NO.	SIZE	SCALE	SHEET
IN-SD10000-102-R2	B	NTS	1 OF 1

DRAIN SERIES	REV.
10000 SERIES SLOT DRAIN	2

ALL DRAWINGS ARE THE EXCLUSIVE PROPERTY OF SLOT DRAIN SYSTEMS. ANY REPRODUCTION IN PART OR IN WHOLE IS PROHIBITED WITHOUT PROPER CONSENT.